



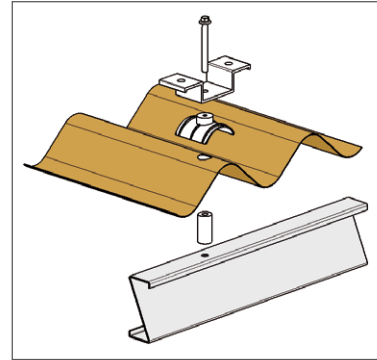
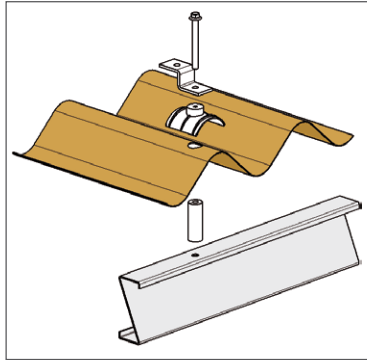
# FixE and FixT overview

Catalog

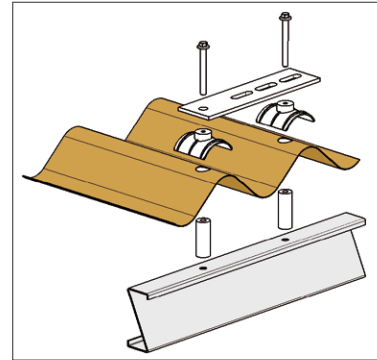
The innovative fastening solution with steel and wooden purlins.  
**Ordering exclusively by** ↷ check list FixE/FixT

Lumber					
Steel					
FixE/T size	1	2	3	4	5
Applicable sizes					

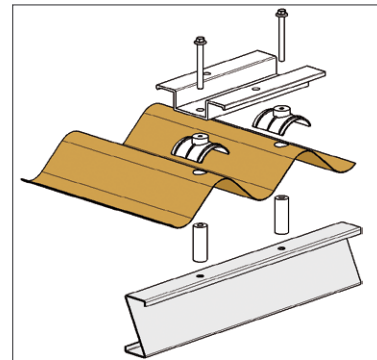
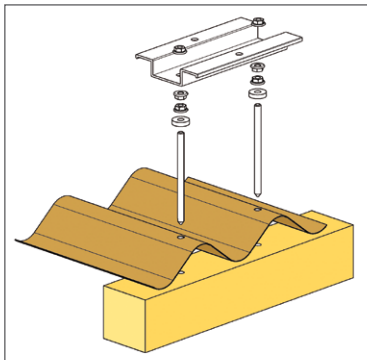
400 877-1  
**Fixation set FixE Eternit**  
**Simple fixation size 1**  
 complete



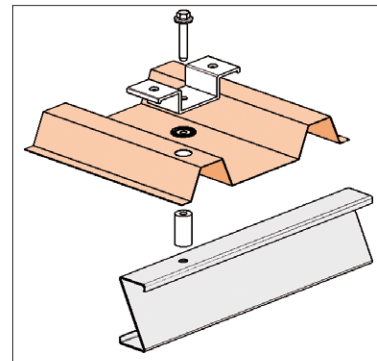
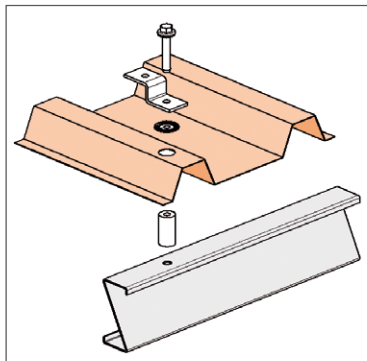
400 877-2  
**Fixation set FixE Eternit**  
**Double fixation size 2**  
 complete  
 For corrugation top distances up to 250 mm / 9,84 inches



400 877-3  
**Double fixation set FixE Eternit**  
**Double fixation size 3**  
 complete  
 For corrugation top distances bigger than 250 mm / 9,84 inches

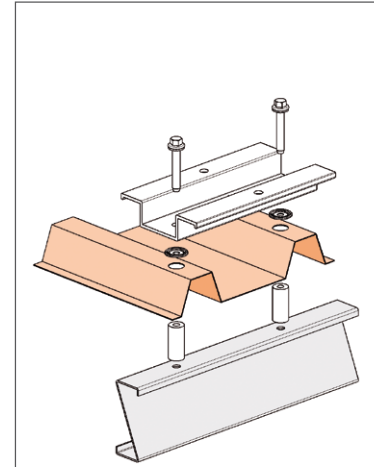
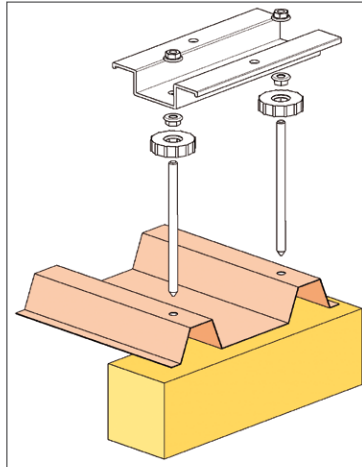


400 878-1  
**Fixation set FixT Trapez**  
**Simple fixation size 1**  
 complete

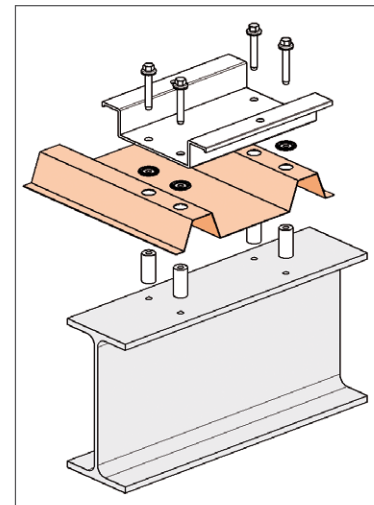
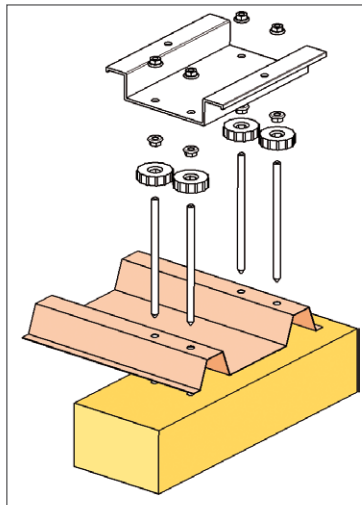




400 878-2  
**Fixation set FixT Trapez**  
**Double fixation Size 2**  
 complete  
 For corrugation top distances up to  
 250 mm / 9,84 inches



400 878-3  
**Fixation set FixT Trapez**  
**Double fixation size 3**  
 complete  
 For corrugation top distances bigger than  
 250 mm / 9,84 inches



400 878-4  
**Fixation set FixT Trapez**  
**Quadruple fixation size 4**  
 complete  
 For corrugation top distances up to  
 250 mm / 9,84 inches

400 878-5  
**Fixation set FixT Trapez**  
**Quadruple fixation size 5**  
 complete  
 For corrugation top distances  
 bigger than 250 mm / 9,84 inches

**Area of application**

Elevation systems like CompactVario and CompactGrid

**Important hints concerning statics**

On the basis of a check list the supporting elements are adapted to the roofing and the according screws are chosen. The statical dimensioning of the whole construction (roof connections, support plates, elevation) is carried out on the basis of a comfortable statics program.

**Technical data:**

<b>Material</b>	Screws: Quality steel1.4301, 8mm with steel purlins, Hanger bolt M10 resp. M12 with wooden purlins. Distance tube made of aluminium, diameter 20 resp. 16 mm / 0,79 resp.. 0,63 inches (only with steel purlins) Concentric EPDM-sealing, UV-resistant in case of steel purlins, Special sealing top resp. corrugated roof rubber in case of wooden purlins. Sealing collar EPDM-rubber form piece, UV-resistant Supporting elements: Cap profile: Aluminium; fixation angle VA (FixE1) or mounting plate aluminium(FixE2)
<b>Statics</b>	Static calculation according to the current specific national standards (in Germany DIN1055 and EC1). a) Roof-parallel mounting: Charts concerning the number of fixation spots b) Elevations: Statics project planning program CompactVario