

## Cable Management

### For Optimized Cable Routing

- Quick and simple mounting
- High UV resistance (polyamide material)
- Perfect edge protection
- High impact resistance
- Cable protection

Schletter offers cable clips that are cost effective and simple to install. In the majority of installations, cables are commonly fastened with simple cable ties. Weather conditions can affect the durability of these cable ties leading to performance issues over time and periodic replacement of the ties. Designed for use with our standard profiles, Schletter's cable management provides optimal performance along with clean and professional cable routing for your solar mounting installations.



**129012-008**

**Proklip-S Cable Clip**

Rectangular cable clip for use with Profile Series 05, M8 screw duct



**129005-000**

**Proklip-C Cable Clip**

Rectangular cable clip for use with Solo05 and Profi05 rails



**129012-010**

**Proklip2000-B Cable Clip**

Round cable clip for use with BF Rail Series, M10 screw duct



**129012-002**

**Proklip2000-P Cable Clip**

Round cable clip for use with S-Rail Series and KP-Rail Series



**129012-001**

**Proklip-Q Cable Clip**

Round cable clip for use with S-Rail Series and KP-Rail Series



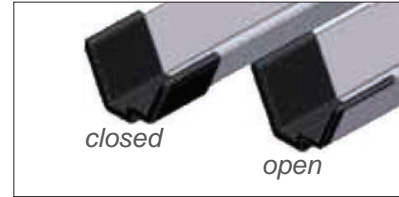
**129042-001**

**Proklip-F Cable Tube Clip**

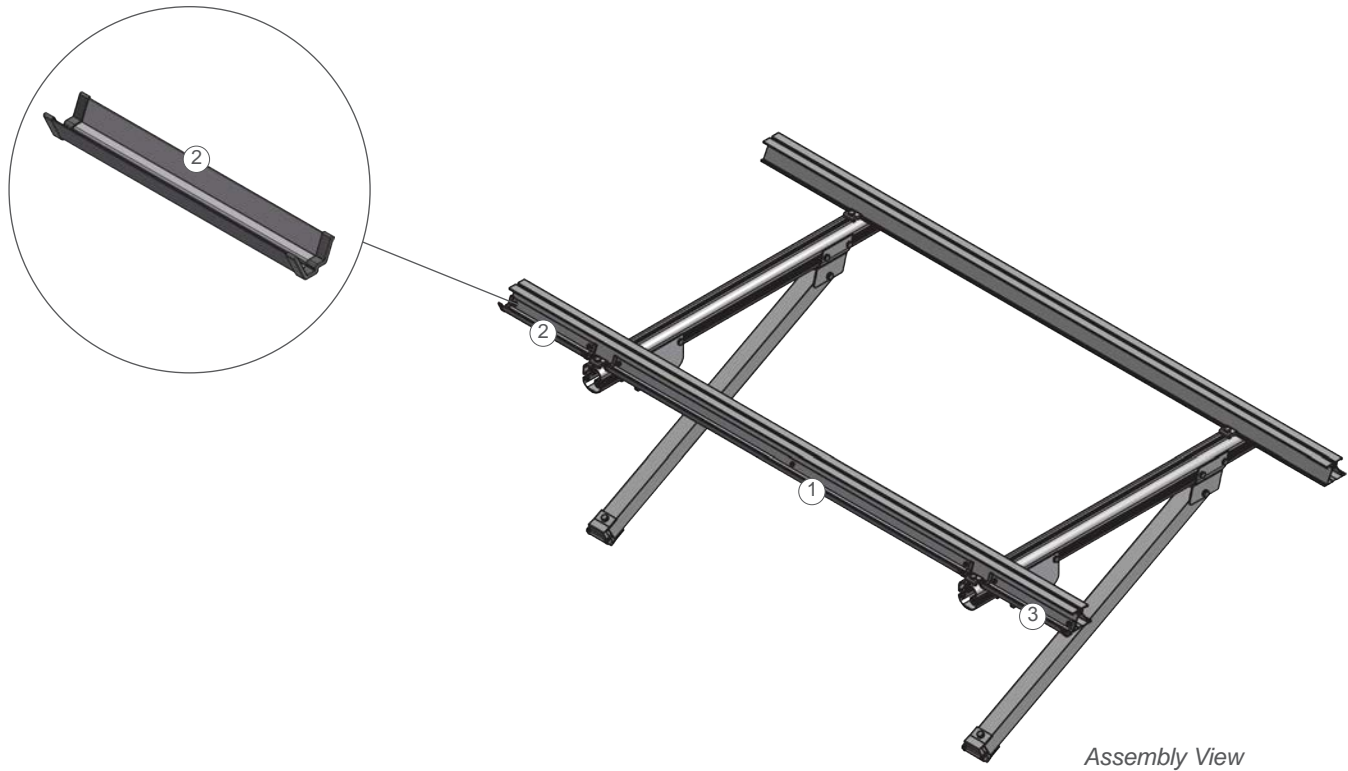
Round cable tube clip for use with FS pile-driven posts and combined with cable tubes



- |                   |                                |
|-------------------|--------------------------------|
| <b>149000-004</b> | <b>Plastic Edge Protection</b> |
| <b>149000-005</b> | Left closed                    |
| <b>149000-006</b> | Right closed                   |
| <b>149000-007</b> | Left open                      |
| <b>149000-007</b> | Right open                     |



- |                   |  |
|-------------------|--|
| <b>128014-000</b> | <b>Cable Duct With Plastic Edge Protectors</b> |
| <b>128014-001</b> | ① Interior cable duct, pre-assembled           |
| <b>128014-002</b> | ② Exterior left cable duct, pre-assembled      |
| <b>128014-002</b> | ③ Exterior right cable duct, pre-assembled     |



Our team would be happy to assist you with any specific inquiries.  
For further information and our declaration of warranty, please visit us at [www.schletter.us](http://www.schletter.us).