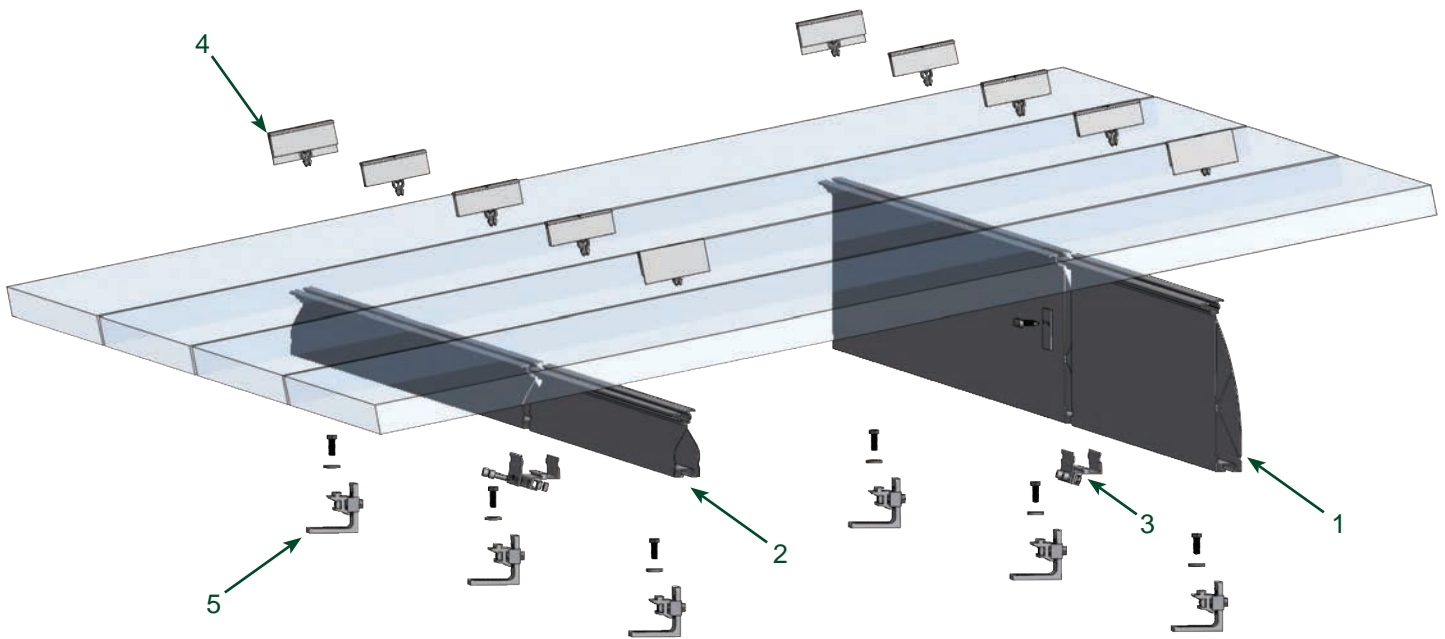


FixZ-7 and FixZ-15

Designed for low-pitched roofs, the FixZ-7 and FixZ-15 provide added pitch to photovoltaic module installations, thereby increasing power production.

Features

- Systems are designed for module heights of approximately 1.5 m – 2 m (5 – 6.5 ft)
- Connects to multiple roof connections including standing seam and trapezoidal sheet metal using appropriate connection hardware
- For use with framed modules only
- Includes Rapid²⁺ ETL Listed², grounding module clamps
- Module in portrait (vertical position)



Key Components

1. Rear Module Rail
2. Front Module Rail
3. Rail Splices (if applicable)
4. Module Clamps (end and middle)
5. Roof Connections (type will vary depending on job specifications)

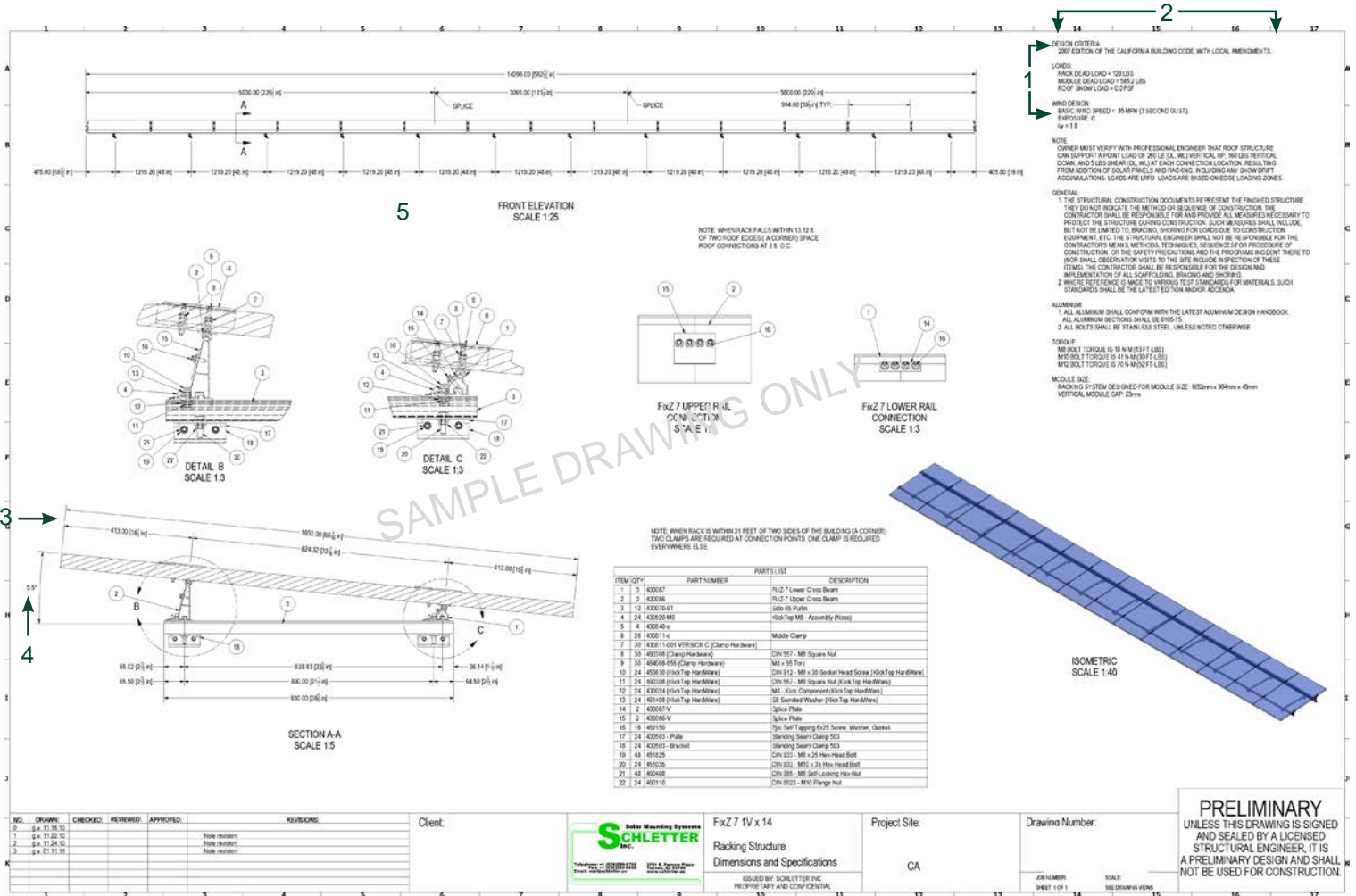
¹ Module tilt will vary depending on module manufacturers connection requirements: 7° tilt option ranges from 4 to 7 degrees, 15° tilt option ranges from 10 to 15 degrees.

² Ground & Bonding Equipment (UL 467 and CAN/CSA-C22-C22.2 No. 41), identified with ETL Listed Mark. See Intertek® ETL Listed Directory for more information.

Sample Drawings

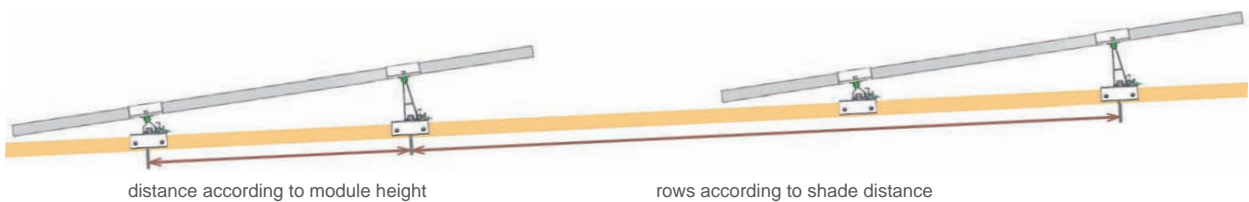
Specific drawings are provided for each project. Key information included on these drawings is as follows:

1. Design Criteria
2. Notes Section
3. Module Dimensions
4. Array Tilt (noted by FixZ-7 or FixZ-15)
5. Array Dimensions and Connection Layout



Row and Ballast Specifications

Provided in drawings are locations for roof connections. Roof connections are positioned based on module manufacturers connection specifications. Row distance is determined based on shading distance.



Mounting the Individual Assembly Groups

1. Install Roof Attachments

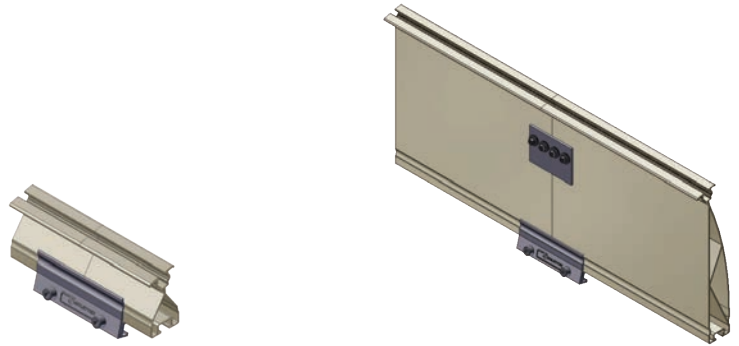
- secure roof attachment as determined by module size, load requirements, and shade
- see installation drawing for placement details
- if installing a Fix2000 (as shown to the right), use included self-drilling screws



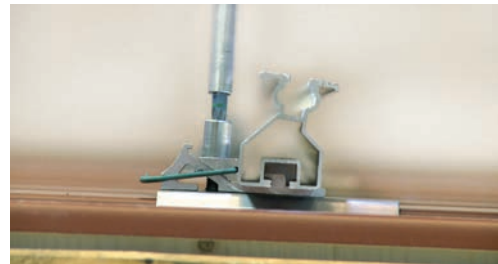
roof attachment example shown is for Fix2000

2. Connect Module Rails

- if installation calls for rail splices, connect pieces prior to rail installation
- if roof attachment is using a KlickTop component, simply click rails in place and tighten torx screw
- position module rail on the KlickTop and tighten torx screw
- row length should not exceed 10 meters / 33 feet
- repeat process for all rails



front (left) and rear (left) rail of 15° tilt option and splices, FixZ-7 rails do not require rear splice plate on shown in image on right



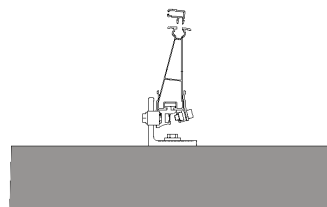
connecting rail (bottom rail of FixZ-7 shown) using KlickTop component

3. Cable Management

- if cable management was ordered with the system, install before modules are in place
- to install ProKlip-S (129012-008), **gently** press into rear or front rail receiving channel on top of rail
- keep in mind ProKlips will be positioned in the space between Fix-EZ rail and back of module, which is created by module frame
- if using cable duct assembly (128014-000), secure trays on outer portion of front or rear rails for convenient placing of cables



installed rear (left) and front (right) rails using Fix Z-7 tilt option



attach ProKlip-S to 8 mm top channel, typically one per module



attach cable duct to rear module rail using self drilling screws, spaced two feet apart

4. Modules and Module Clamps

- position end clamps on rail, do not tighten
- position first module and secure using pre-positioned end-clamps
- attach middle clamps to rail on the exposed side of first module
- place second module next to first module and secure in place using middle clamp
- repeat until end of row, then secure exposed side with end clamps



Torque Specifications and Tolerances

Systems are specifically designed for each project. Please reference your specific project drawing for allowable tolerances and recommended torque for each size of bolt used in the system. **In the event of deviation from approved drawings, contact Schletter immediately.**

Safety Precautions

Follow proper installation and safety procedures at all times. Edges of parts may be sharp. Follow proper lifting guidelines as well as rooftop safety procedures.

For more information on the FixZ-7 or FixZ-15, please see:

- ➔ [FixZ-7 brochure](#)
- ➔ [FixZ-15 brochure](#)
- ➔ [FixZ-15 installation on YouTube](#)