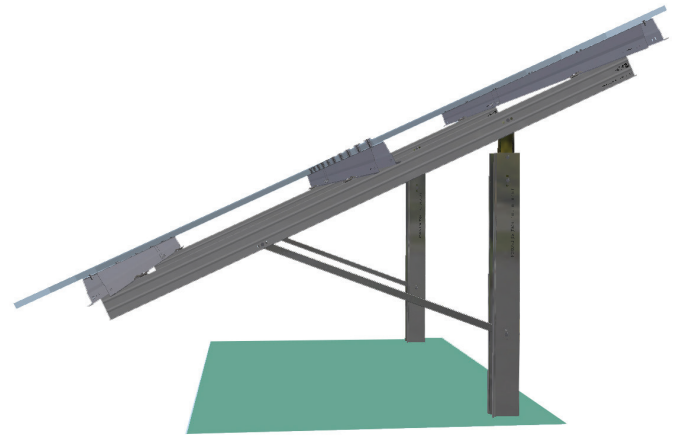


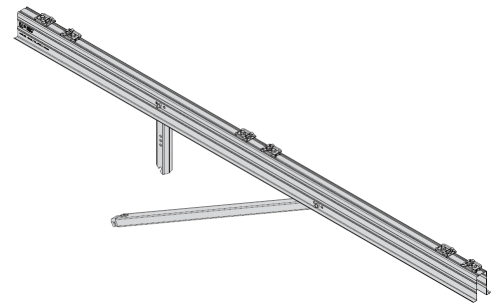
G-Max

Innovative fixed-tilt ground mount system for photovoltaic (PV) mounting

- Designed to meet UL 2703¹ and ULC/ORD Std C1703 (Ed. 1) (approval pending)
- Four major components: post, girder assembly, purlin, and splice (as needed)
- 25% increase in girder strength*
- 40% increase in purlin spans*
- Standardized hardware, reduces installation time



Unlike any steel PV mounting system on the market, the **G-Max** design is a direct result of customer and installer feedback, combined with years of engineering and manufacturing experience. G-Max pulls from Schletter's legacy **FS System** for unbeatable ease-of-assembly and applies that concept to a steel system. The G-Max design principals include; increased adjustment capability, larger spans between foundations, and hardware standardization to reduce the number of part variables.



Reduction of Piles, Means Reduction of Costs

Based on initial findings, the average utility-scale layout will experience a pile (foundation) quantity reduction of 20% and capture the following cost efficiencies:

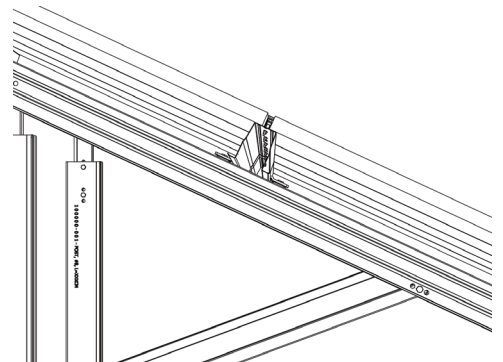
- Reduced manufacturing time/cost savings
- Reduced freight time, weight/cost savings
- Site deployment time/cost savings
- Installation time/cost savings

Girder Assembly: Factory pre-assembled to unfold in field for incredible ease-of-assembly, reducing touch points, increasing assembly speed

Factory Pre-Assembly

In order to speed installation time in the field, Schletter pre-assembles 30% of the G-Max components in-house. Benefits include:

- Fewer touch points in the field reduces install time, saving installation costs
- Less loose hardware in field reduces material loss on site



Factory pre-assembled purlin mounting clips, reduces touch points in the field, installation time, and margin of error

Combined Purlin Design

A major design feature integrated into G-Max is a reduction of purlins required to secure PV modules. Traditional mounting systems use four purlins, while G-Max requires only three without the need for additional cross bracing or cross rails. The result is a reduction of material handling by 25%, increase in spans, reduction of foundations (piles), and consequently lower project installation costs.

¹ Grounding & Bonding (UL 2703), identified with ETL Listed Mark and tested with specific modules. See G-Max installation manual for complete list. See Intertek© ETL Listed Directory for more information.

* Compared to previous steel products offered by Schletter.

Intuitive Design Features

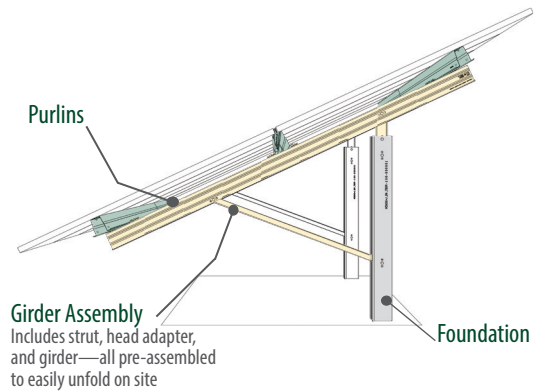
Through the years, Schletter has taken customer and installer feedback seriously. Within the G-Max design are visual quality assurance measures incorporated during manufacturing into the system. What this means for our customers is:

- Part identification numbers on every major component to clearly identify the part and the location for installation
- Embedment depth call-out (score line) on piles—provides a clear visual quality control indicator, increasing installation efficiency and reducing margin of error
- Torque check clips provides a simplified visual quality control check during installation reducing the need for manual torque checks

Safety and Ergonomic Improvements

It is well known that falls from elevated surfaces, such as from ladders, are one of the leading causes of occupational fatalities and injuries (OSHA). Schletter has designed the G-Max system to allow the option of module installation either from the top-down or bottom-up, reducing the necessity for ladders or scaffolding, and thereby reducing the likelihood of injuries during installation.

For United States, visit www.schletter.us or call **888-608-0234** or for Canada, please visit www.schletter.ca or call **519-946-3800** to speak to a Schletter representative for more information.



Four main components include: foundation, girder assembly (arrives as one piece on site and includes strut, head adapter, girder, and purlin mounting clips), purlins, and splices to meet design requirements

The GAYK hydraulic ram offers industry-leading installation speed on all foundation pile types. GAYK ram features a track machine with center pounding for more efficient and accurate installations. Ramming is possible on slopes up to 20° (north-south slopes) with impacts per minute ranging from 530 to 1,150, depending on terrain. See **GAYK brochure** for more information.

Technical Data

Foundation Options (Current)	Hat channel: Galvanized steel, G210 coating, ASTM A653
Fixed Tilt Angles	10–35°
Purlin and Mounting Superstructure	Galvanized steel, G115 coating, ASTM A653
Module Layout	Portrait
Module Compatibility	See installation manual for approved module list for UL Ed.1 requirements
Cable Management	Purlin integrated component materials available
Structural Design Standards	IBC 2006, 2009, 2012, or 2015 (ASCE 7-05, ASCE 7-10) with local amendments National Building Code of Canada compliant PE Wet Stamps available
Testing and Certifications	Wind Tunnel Validation Conforms to UL 2703 (pending) Certified to ULC/ORD STD C1703 (pending)
Warranty	20 year limited manufacturer warranty, standard
Country of Manufacture	United States of America



SCHLETTER GMBH (Headquarters)
Gewerbegebiet an der B15
Alustraße 1
83527 Kirchdorf / Haag i.OB
DEUTSCHLAND

SCHLETTER (Shanghai)
Solar Technology Co., Ltd
677 Beihe Gong Road
Jiading, Shanghai
201807 PR CHINA

SCHLETTER Inc.
1001 Commerce Center Drive
Shelby, North Carolina 28150
USA

(888) 608 - 0234
info.us@schletter-group.com
www.schletter.us